

# KOMATSU®

NET HORSEPOWER  
15.5 kW 20.8 HP

OPERATING WEIGHT  
2295 kg 5,060 lb

## PC20MR-2



**PC**  
**20MR**



Photo may include optional equipment.

HYDRAULIC EXCAVATOR  
COMPACT

# GALEO

# WALK-AROUND

## ***Tight Tail Swing***

The operator can focus on the work in front and worry less about rear swing impact in confined areas with 80 mm **3.2"** overhand on the rear.

## ***Large Operator's Space***

The operator can operate the machine comfortably due to suspension seat with adjustable seat back. On canopy models, the operator can enter and exit easily from both sides due to increased foot space and two-post ROPS canopy.

## ***Two-Post ROPS/FOPS Canopy/Cab***

- Each canopy/cab meets safety regulations for ROPS/FOPS guard
- Unsurpassed operator visibility

## ***Superior Digging Force***

Exceptional productivity combined with outstanding stability and superb fine control with CLSS hydraulic system.

## ***X-Track Frame***

Soil does not accumulate on the track frame due to its rounded design and wide openings. The x-frame also provides greater strength and rigidity.



Photos may include optional equipment.

***Superior Lifting Capacity***

The MR-2 series excavators offer high lifting capacities and stability in a tight tail machine design.

***Automatic Two-Speed Travel***

In high speed mode, travel speed is automatically shifted from high speed to low speed according to the load on the machine.

***Large Operator's Cab***

The cab on the MR-2 series compact excavators has the same foot space as the larger PC228USLC-3 excavator.

***Tilt Forward Operator's Compartment***

The operator's compartment tilts forward allowing easy access to hydraulic and engine components.

**NET HORSEPOWER**  
15.5 kW **20.8 HP**

**OPERATING WEIGHT**  
Canopy, Rubber Track  
2295 kg **5,060 lb**

Canopy, Steel Track  
2406 kg **5,305 lb**

Cab, Rubber Track  
2460 kg **5,424 lb**

Cab, Steel Track  
2571 kg **5,669 lb**

**TWO SPEED TRAVEL**  
High: 4.67 km/h **2.9 MPH**  
Low: 2.74 km/h **1.7 MPH**

**BUCKET SIZE**  
254–533 mm **10"-21"**



**GALEO**

**Komatsu's highly productive, innovative technology, environmentally friendly machines built for the 21st century.**

# OPERATOR ENVIRONMENT



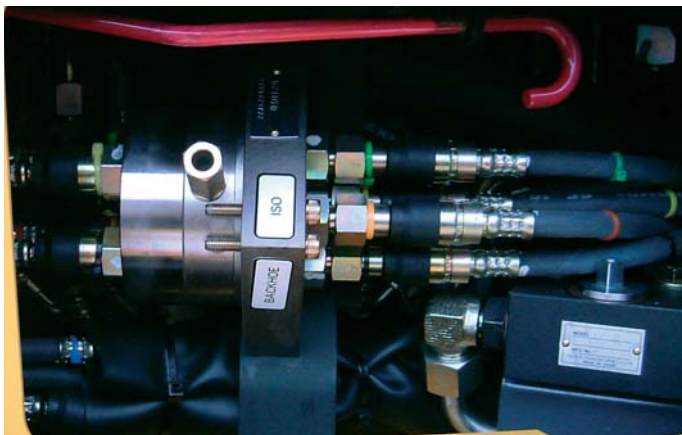
### Large Entrance and Foot Space

The two-post ROPS/FOPS canopy enables the operator to enter and exit from either side. The canopy/cab also provides the operator with foot space equal to the larger PC228USLC-3 excavator.

### Suspension Seat with Adjustable Seat Back

reduces operator fatigue.

**Joystick Controls** provide low effort, fine control and are maintenance and adjustment free.

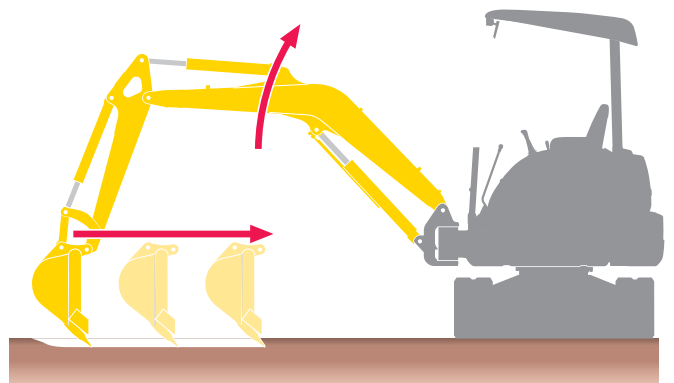


### Pattern Change Valve

Whether you are comfortable with excavator or backhoe control patterns, you can easily change from one to the other.

### CLSS HydraMind (Hydraulic Mechanical Intelligence) System

Even when two or more functions are operated simultaneously, the pressure-compensated CLSS system ensures each function works according to its control input, regardless of the size of the load. This gives the operator precise control at all times.



# SAFETY FEATURES



## Two-Post ROPS/FOPS

ROPS (Roll-Over Protective Structure) canopy/cab meets the requirements of ROPS with the advantage of a two-post design.

According to the SAE and ISO standard, excavators are not required to have FOPS (Falling Object Protective Structure); however, the MR-2 series meets the standard.



## Excellent Visibility

The operator is able to maintain excellent visibility at all times with no frontal obstructions and minimal rear obstructions.



## Neutral Engine Start System

In order to start the machine, the left or the right console must be in the up position. Lower the console and the lever into the down position to activate the travel and hydraulic systems.

# SERVICEABILITY



Photo may include optional equipment.

## Tilt-Up Operator Compartment

The operator's compartment tilts forward for easy access to hydraulic and engine components. This function is not required for daily inspection.

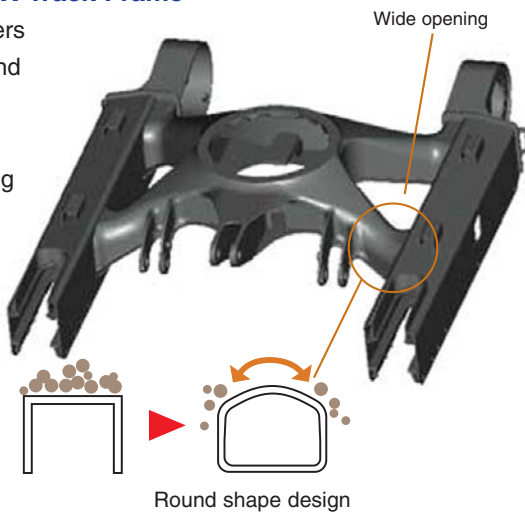
## Fully Opening Engine Hood and Side Panel

Routine maintenance and daily inspections are easy to perform. All maintenance and inspection points are easily accessible with machine in the working position.



## High Strength X-Track Frame

X-track frame deters build-up of mud and debris saving the operator valuable time when cleaning the machine.



## Extended service intervals reduce maintenance costs.

Periodic service intervals	MR-2 Series
Lubricating swing circle	500
Lubricating bushing of work equipment	500
Replacement of engine oil	500

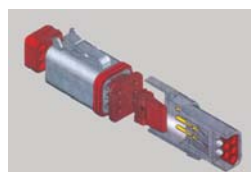
## Larger Diameter Swing Pin

Has high durability and maintains suitable tolerances between pin and bushing after long-term operation.



## Hydraulic Fittings

O-ring face seal connections with high sealing performance.



## DT Electrical Connectors

Water-resistant DT electrical connectors seal tight and have high reliability.

# SPECIFICATIONS



## ENGINE

Model ..... Komatsu 3D76E-5  
 Type ..... Water cooled, 4 cycle, swirl chamber  
 Number of cylinders ..... 3  
 Piston displacement ..... 1.115 ltr **68 in<sup>3</sup>**  
 Horsepower  
 Net ..... 15.5 kW **20.8 HP @ 2500 rpm**  
 EPA,EU, and Japan Tier 2 emission certified.



## ELECTRICAL SYSTEM

Alternator ..... 40 A  
 Battery ..... 45 Ah/390 CCA  
 Operating voltage ..... 12 V



## HYDRAULIC SYSTEM

Type ..... HydraMind (Hydraulic Mechanical Intelligence) system, closed-center system with load-sensing valve and pressure-compensated valves

Main pump:

Type ..... Variable capacity x 1  
 Maximum flow ..... 53.9 ltr/min **14.2 U.S. gal/min**

Hydraulic motors:

Travel ..... Variable capacity x 2  
 Swing ..... Fixed capacity x 1

Maximum pressure setting ..... 250 kg/cm<sup>2</sup> **3,555 psi**  
 Auxiliary flow ..... .35 ltr/min **9.2 gal/min**

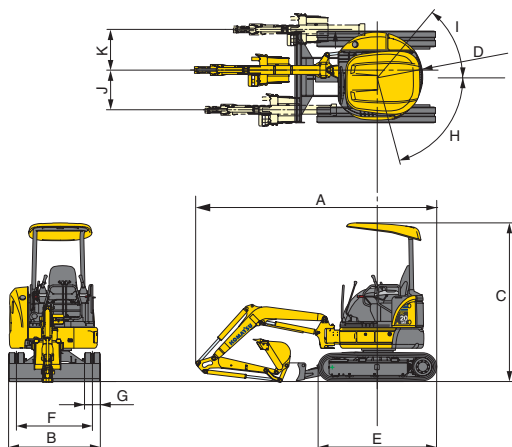


## PERFORMANCE

Swing speed ..... 8.9 rpm  
 Ground pressure ..... .028 kg/cm<sup>2</sup> **4.0 psi**  
 Maximum traction force ..... .2060 kg **4,540 lb**  
 Gradeability ..... .30 degrees  
 Bucket digging force ..... .1920 kg **4,235 lb**  
 Arm crowd force ..... .1390 kg **3,065 lb**



## DIMENSIONS



## DRIVES AND BRAKES

Steering control ..... Two levers with pedals  
 Drive method ..... Fully hydrostatic  
 Maximum travel speed: High ..... 4.6 km/h **2.9 mph**  
 Low ..... 2.8 km/h **1.7 mph**  
 Travel brake ..... Hydraulic lock



## UNDERCARRIAGE

Track adjuster ..... Grease  
 Number of track rollers ..... 3 each side



## COOLANT AND LUBRICANT CAPACITY (REFILLING)

Fuel tank ..... 28 ltr **7.4 U.S. gal**  
 Radiator ..... 3.0 ltr **0.8 U.S. gal**  
 Engine ..... 3.4 ltr **0.9 U.S. gal**  
 Hydraulic tank ..... 19 ltr **5.0 U.S. gal**



## OPERATING WEIGHT (APPROXIMATE)

Operating weight including including ROPS/TOP Canopy, 1016 mm **3'4"** arm, auxiliary hydraulic bucket with 0.066 m<sup>3</sup> **0.087 yd<sup>3</sup>** ISO 754 capacity, blade, operator weight, liquids, full fuel tank, and standard equipment.

PC20MR-2	Shoe Width	Operating Weight
Rubber Track	250 mm <b>9.8"</b>	2,295 kg <b>5,060 lbs</b>
Steel Track	250 mm <b>9.8"</b>	2,406 kg <b>5,305 lbs</b>



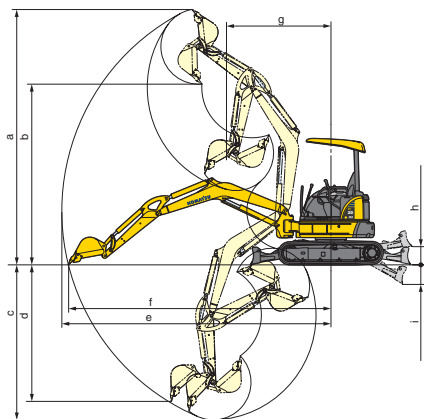
## BLADE

Width x-height ..... 1450 x 300 mm **4'8" x 11.8"**  
 Maximum lifting above ground level ..... 340 mm **13.4"**  
 Maximum depth below ground level ..... 230 mm **9.1"**

Dimensions	mm/ft. in.
A. Overall length	3810/ <b>12'6"</b>
B. Overall width	1450/ <b>4'8"</b>
C. Overall height	2520/ <b>8'3"</b>
D. Tail swing radius	800/ <b>2'7"</b>
E. Crawler length	1880/ <b>6'2"</b>
F. Track gauge	1200/ <b>3'11"</b>
G. Track shoe width	250/ <b>9.8"</b>
H/I. Boom swing angle	LH 75 / RH 50
J/K. Bucket offset	LH 525 / RH 770 LH <b>1'9"</b> / RH <b>2'6"</b>



## WORKING RANGE



Standard Arm Working Range (mm/ft.in.)	1016 mm 3'4"	Long Arm Working Range (mm/ft.in.)	1372 mm 4'6"
a. Max. digging height	4100/13'5"	a. Max. digging height	4390/14'5"
b. Max. dumping height	2820/9'3"	b. Max. dumping height	3110/10'2"
c. Max. digging depth	2350/7'9"	c. Max. digging depth	2750/9'0"
d. Max. vertical digging depth	1950/6'5"	d. Max. vertical digging depth	2350/7'9"
e. Max. digging reach	4300/14'1"	e. Max. digging reach	4750/15'7"
f. Max. digging reach (ground level)	4170/13'8"	f. Max. digging reach (ground level)	4620/15'2"
g. Min. swing radius (when boom swing)	1790/5'10" 1450/4'9"	g. Min. swing radius (when boom swing)	1950/6'5" 1500/4'11"
h. Max. blade lift	340/13.4"	h. Max. blade lift	340/13.4"
i. Max. blade depth	230/9.1"	i. Max. blade depth	230/9.1"



## LIFTING CAPACITIES

Blade on ground and expanded undercarriage

Arm Length Unit: kg/lb	A B	2 m 6.5'		2.5 m 8.2'		3 m 10'		MAXIMUM	
		Front	Side	Front	Side	Front	Side	Front	Side
1016 mm 3'4"	3 m 10'			*470 *1,035	*470 *1,035			*530 *1,165	455 1,000
	2 m 6.5'	*625 *1,375	*625 *1,375	*570 *1,255	535 1,175	550 1,210	400 880	*550 *1,210	320 705
	1 m 3.2'	*1380 *3,040	710 1,565	*910 *2,005	515 1,135	710 1,565	385 845	*590 *1,300	285 625
	0 m 0'	*1545 *3,405	685 1,510	*1080 *2,380	495 1,090	805 1,770	375 825	*645 *1,420	305 670
	-1 m -3.2'	*1235 *2,720	695 1,530	*880 *1,940	500 1,100			*710 *1,565	425 935
1372 mm 4'6"	0 m 0'	*1535 *3,380	680 1,495	*1045 *2,300	*490 *1,080	775 1,705	370 815	*550 *1,210	255 560

\* Rated loads do not exceed 87% of hydraulic capacity or 75% of tipping load.



## STANDARD EQUIPMENT

- Air cleaner, single element
- Automatic two-speed travel control
- Backfill blade
- Counterweight
- Pattern change valve (Excavator/Backhoe)
- Rubber track
- Rearview mirrors, RH/LH
- Suspension seat
- Seat belt 76 mm 3"
- Steering pedals
- Two-post canopy ROPS and Top Guard
- Travel alarm
- Wrist rests



## OPTIONAL EQUIPMENT

- Additional cab light
- Additional canopy light
- Arm arrangements from 1016 mm 3'4" to 1372 mm 4'6"
- Auxiliary hydraulics
- Buckets from 254 mm 10" to 533 mm 21"
- Cab
- Hydraulic breaker
- Reinforced blade assembly
- Steel track

KUSS174-01

©2005 Komatsu Printed in USA

DK(3M)08 (7.5M)C11/05

08/05 (EV-1)

# KOMATSU®

440 N. Fairway Drive  
P.O. Box 8112  
Vernon Hills, IL 60061-8112

